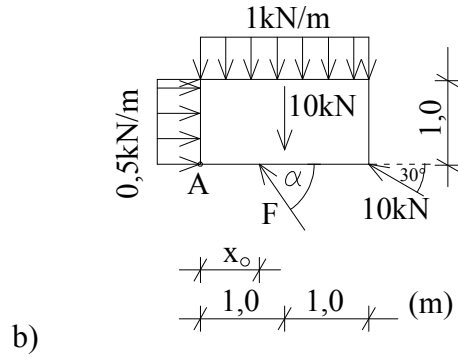
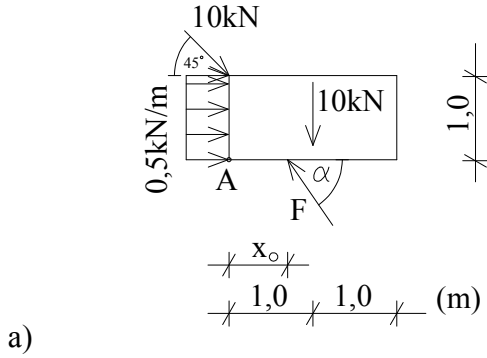
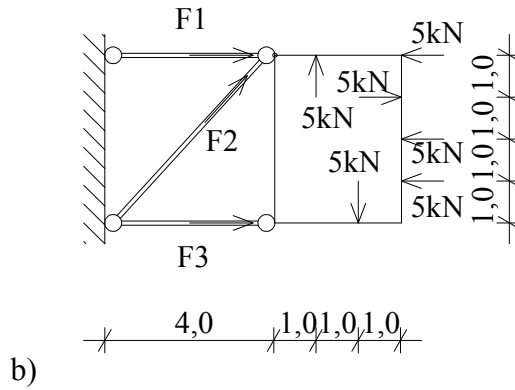
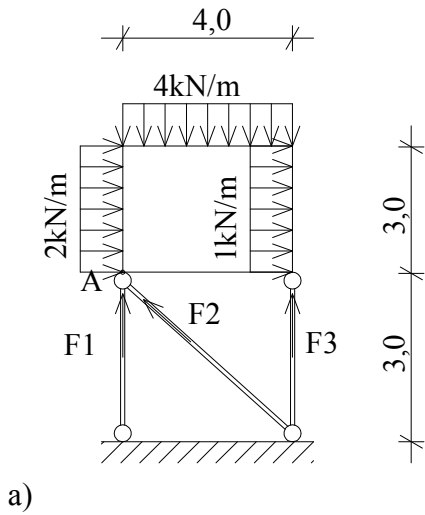


Practice exercise to Blackboard exercise No 7

1)  $F = ?$ ,  $\alpha = ?$ ,  $x_0 = ?$  if the box is in equilibrium?



2)  $F_1 = ?$ ,  $F_2 = ?$ ,  $F_3 = ?$



5) The weight of the beam is 10 kN/m. Determine A, B, and C !

